

**Data Sheet**  
**7W E27**  
**Ceramic LED Bulb**



**Product Description:**

The ceramic LED Bulb is designed specifically as an energy-saving and for replace traditional bulbs. This lamp operates on AC85-265V, and can be inserted into any E26/E27 base. Engineering Ceramic material ensure that thermal conductivity and insulation. There are no hazardous waste materials and is RoHS compliant.

**Applications:**

Chandeliers  
Wall Sconce  
Carriage Light  
Nightlights  
Floor light

**Features:**

Thermal ceramic  
Up to 90-100lm/w  
Long Life

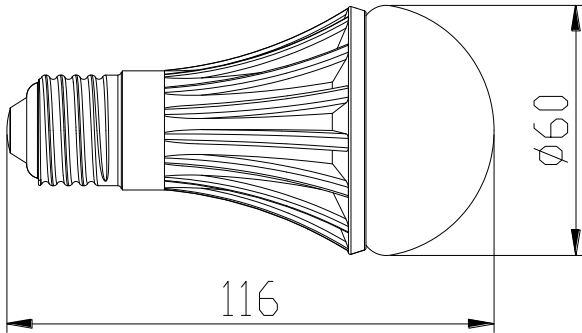


**Benefits**

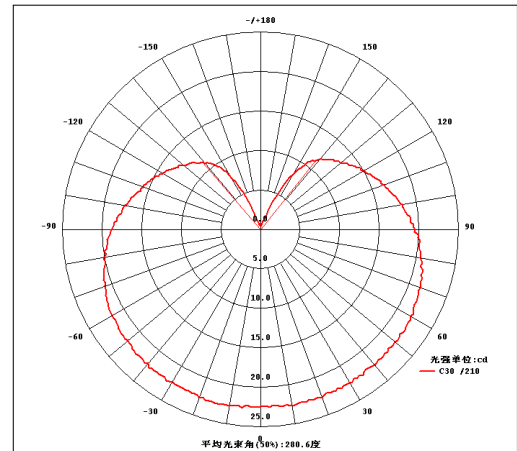
- Energy Efficient
- Environmentally Friendly
- RoHS Compliant
- Non-Hazardous Waste
- Low Carbon Footprint



## Dimensions



## Polar Diagram

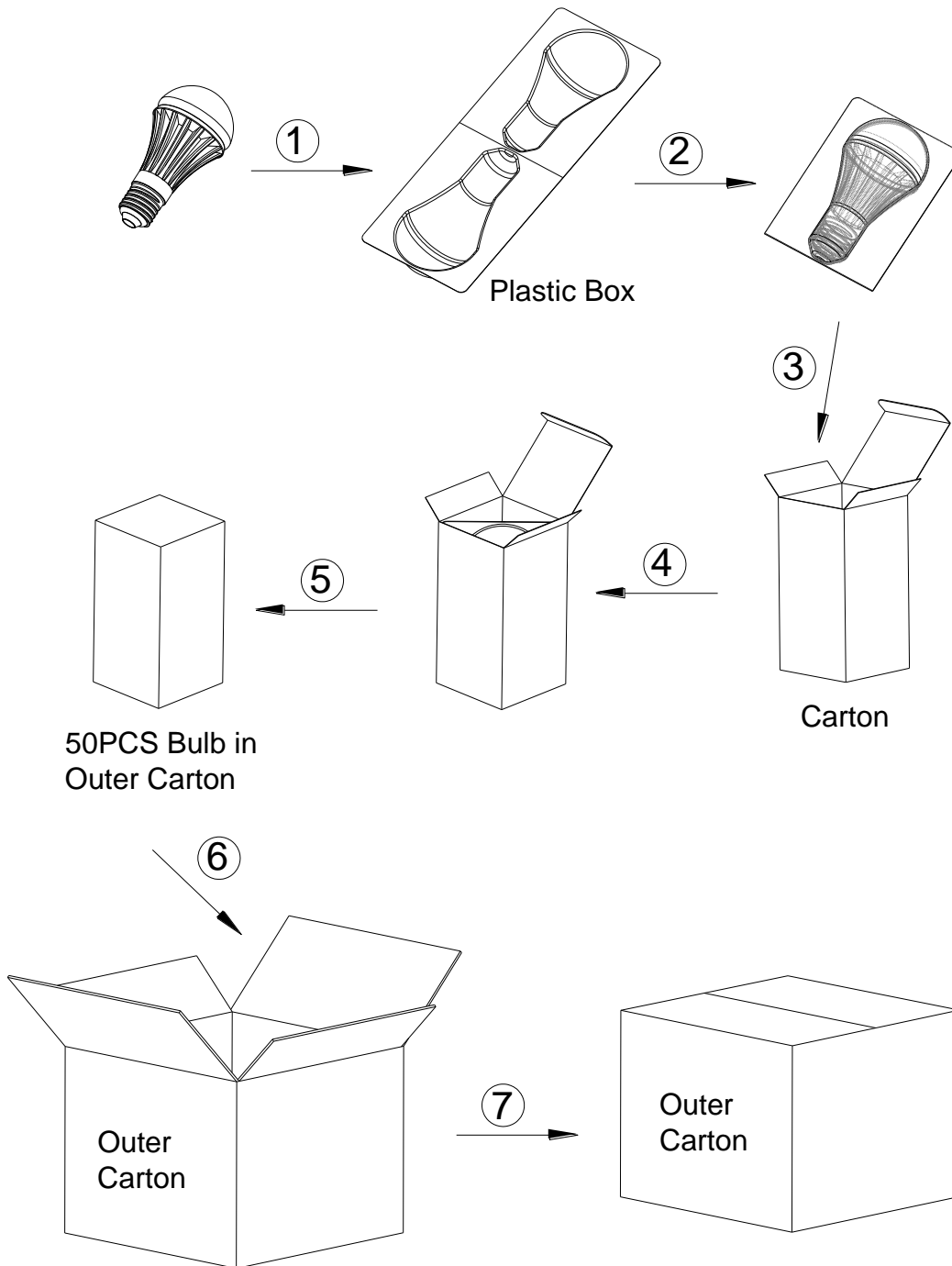


Dimension	Description	Inch	Millimeter
MOL	Maximum Overall Length	4.57	116
DIA	Maximum Diameter	2.36	60

## Optical / Electrical Specifications

Product Number	Power Consumption	Base	Operating Voltage	Operating Temperature	Approx Lumen s	CRI	CCT (K)
6405	7W±10%	E27	AC85-265 V	-20To+40°C	520	≥70	3000-3500
6404	7W±10%	E27	AC85-265 V	-20To+40°C	560	≥70	6000- 7000

# Package



Product Number	Plastic Box Size (mm)	Carton Size (mm)	Outer Carton Size (mm)	N.W. (kg)	G.W. (kg)
6404-6405	247*90*0.4	65*65*125	350*350*280	8.5	10.5